

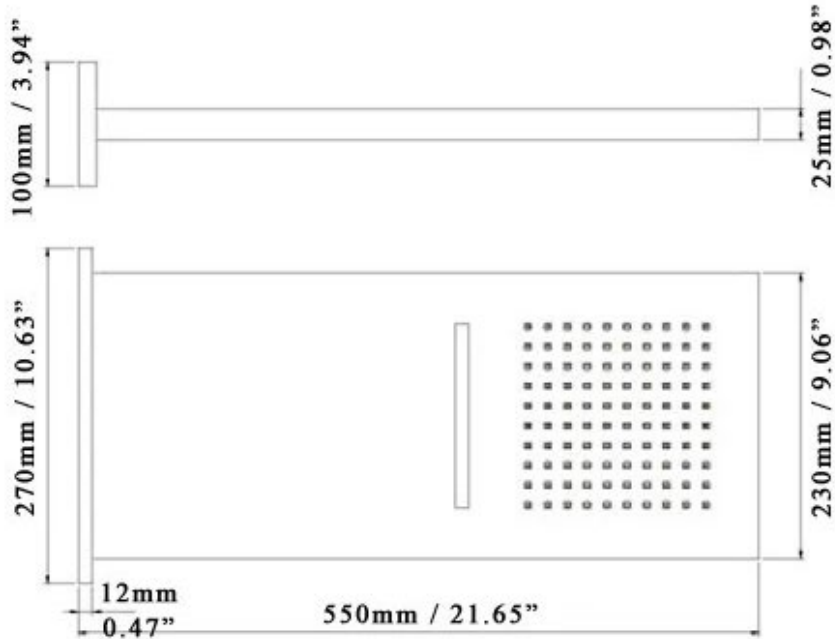
# FONTANA FLORENCE WALL MOUNT WATERFALL RAINFALL CHROME FINISH SHOWER HEAD WITH HANDHELD SHOWER AND FAUCET SPOUT SPECS



## Specifications

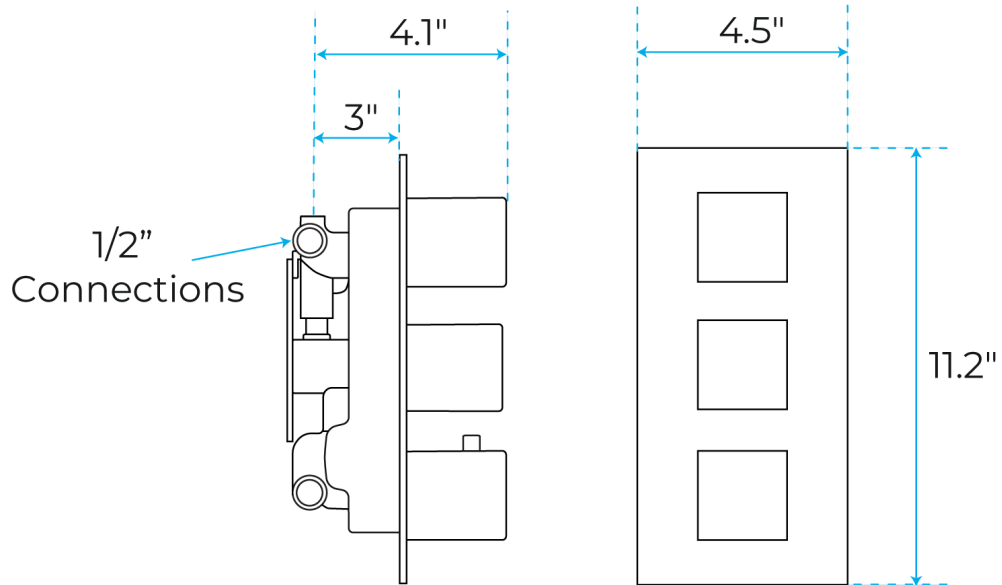
TYPE: RAINFALL/WATERFALL SHOWER SYSTEM  
FINISH : CHROME  
COLD AND HOT WATER: THERMOSTATIC CONTROL  
NUMBER OF HANDLES: TRIPLE HANDLE  
SURFACE TREATMENT: POLISHED  
TYPE: FIXED SUPPORT TYPE

## Shower Head Size:

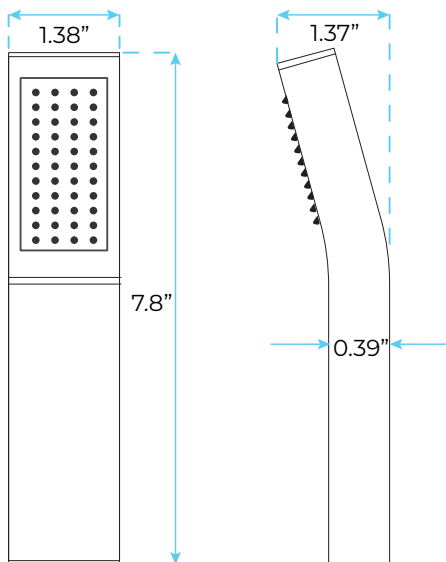


Flow Rate  
2.5 GPM / 7.6 LPM (rain Shower);

## Mixer Size :

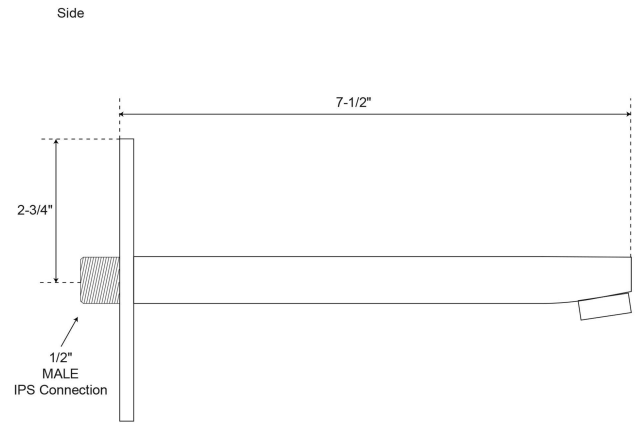
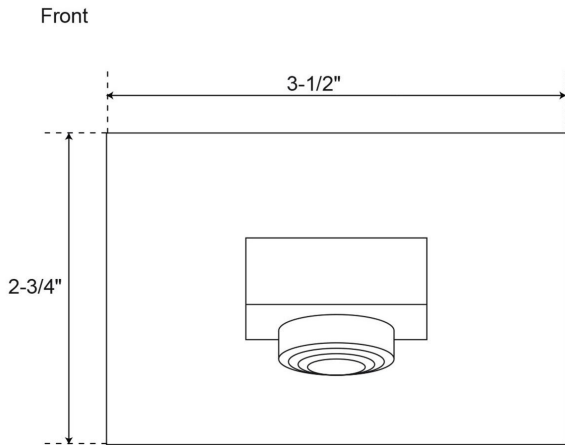


## Hand Shower Size:



The minimum required water pressure is 0.05 MPa (0.5 bar).  
Flow rate 2.5 GPM (9.5 LPM).

## Spout Size:



Max 4 GPM / 15.1 LPM (tub Spout)

## Connection:

